

User's Manual



U-LINE
CORPORATION

**CLR60
CLEAR ICE
MACHINE**

U-LINE CORPORATION LIMITED WARRANTY

U-Line Corporation warrants each U-Line product to be free from defects in materials and workmanship for a period of one year from the date of purchase; and warrants the sealed system (consisting of the compressor, the condenser, the evaporator, the hot gas bypass valve, the dryer and the connecting tubing) in each U-Line product to be free from defects in materials and workmanship for a period of five years from the date of purchase. During the initial one-year warranty period for all U-Line products U-Line shall: (1) at U-Line's option, repair any product or replace any part of a product that breaches this warranty; and (2) for all Marine, RV and Domestic U-Line products sold and serviced in the United States (including Alaska and Hawaii)and Canada, U-Line shall cover the labor costs incurred in connection with the replacement of any defective part. During years two through five of the warranty period for the sealed system, U-Line shall: (1) repair or replace any part of the sealed system that breaches this warranty; and (2) for all Marine, RV and Domestic U-Line products sold and serviced in the United States (including Alaska and Hawaii)and Canada, U-Line shall cover the labor costs incurred in connection with the replacement of any defective part of the sealed system. All other charges, including transportation charges for replacements under this warranty and labor costs not specifically covered by this warranty, shall be borne by you. This warranty is extended only to the original purchaser of the U-Line product. The Registration Card included with the product should be promptly completed by you and mailed back to U-Line.

The following are excluded from this limited warranty: installation charges; damages caused by disasters or acts of God, such as fire, floods, wind and lightning; damages incurred or resulting from shipping, improper installation, unauthorized modification, or misuse/abuse of the product; customer education calls; food loss/spoilage; door and water level adjustments (except during the first 90 days from the date of purchase); defrosting the product; adjusting the controls; door reversal; or cleaning the condenser.

If a product defect is discovered during the applicable warranty period, you must promptly notify either the dealer from whom you purchased the product or U-Line at P.O. Box 23220, Milwaukee, Wisconsin 53223 or at 414-354-0300. In no event shall such notification be received later than 30 days after the expiration of the applicable warranty period. U-Line may require that defective parts be returned, at your expense, to U-Line's factory in Milwaukee, Wisconsin, for inspection. Any action by you for breach of warranty must be commenced within one year after the expiration of the applicable warranty period.

This limited warranty is in lieu of any other warranty, express or implied, including, but not limited to any implied warranty of merchantability or fitness for a particular purpose; provided however, that to the extent required by law, implied warranties are included but do not extend beyond the duration of the express warranty first set forth above. U-Line's sole liability and your exclusive remedy under this warranty is set forth in the initial paragraph above. U-Line shall have no liability whatsoever for any incidental, consequential or special damages arising from the sale, use or installation of the product or from any other cause whatsoever, whether based on warranty (express or implied) or otherwise based on contract, tort or any other theory of liability.

Some states do not allow limitations on how long an implied warranty lasts or the exclusion or limitation of incidental or consequential damages, so the above limitations may not apply to you. This warranty gives you specific legal rights, and you may also have other rights which vary from state to state.

INTRODUCTION

Congratulations on your purchase of a U-Line CLR 60 Ice Maker. A pioneer in the field for more than 35 years, U-Line is the world's number one manufacturer of built-in, under-counter ice making and specialty refrigeration products. U-Line dedicates 100% of its research and development to these products. The result: U-Line leads the market with innovative technology and superior craftsmanship.

U-Line also backs customers with a strong dealer network. U-Line's commitment to quality even extends to environmentally safe packaging. U-Line products are making life more convenient in homes, business and hotels around the world.

IMPORTANT

PLEASE READ all instructions completely before attempting to install or operate the unit. All Ice Makers require a connection to the water supply and improper hook-up can result in substantial property damage! If you are unsure of your ability to safely connect the water supply to the unit, and the unit to the drain, consult a licensed plumber for assistance.

Once you have your unit installed, we suggest that you keep this manual in a safe place for future reference. Should any problems occur, refer to the **TROUBLESHOOTING** section of this manual. This information will help you to quickly identify a problem and get it remedied. In the event you require assistance, please contact the dealer where you purchased your unit.

PLEASE RECORD YOUR MODEL'S INFORMATION

Whenever you call to request information or service, you will need to know your model number and serial number. You can find this information on serial plate located on the inside wall of your unit and on the warranty registration card.

WARRANTY REGISTRATION CARD

The package containing this manual also includes your warranty registration information. Warranty coverage begins at the time your ice maker was purchased.

NOTE

Complete and mail the Warranty Registration Card as soon as possible to validate the registration date.



User's Manual

If you do not return your Warranty Registration Card, U-Line will use the date of sale to the U-Line distributor as the first date of warranty for your new ice maker. Please also record the purchase date or your U-Line unit and your dealer's name, address and telephone number.

Model Number: _____
Serial Number: _____
Purchase Date: _____
Dealer Name: _____
Dealer Address: _____
Dealer Telephone: _____

Keep this manual and the sales slip together in a safe place for further reference.

TABLE OF CONTENTS

INTRODUCTION.....	1
SAFETY PRECAUTIONS.....	3
INSTALLATION DIMENSIONS.....	4
DRAIN INSTALLATION.....	5
CONNECTING A DRAIN PUMP.....	7
SITE PREPARATION.....	8
CONNECTING THE WATER SUPPLY.....	10
LEVELING THE UNIT.....	12
GRILLE INSTALLATION.....	13
REVERSING THE DOOR.....	14
ALIGNING THE DOOR.....	17
CUSTOM DOOR PANEL INSERT INSTALLATION.....	17
BUILT-IN INSTALLATION.....	19
INITIAL START-UP.....	20
NORMAL OPERATION.....	21
ADJUSTING ICE THICKNESS.....	22
CARE AND CLEANING.....	23
STORAGE, VACATION AND MOVING.....	27
TROUBLESHOOTING.....	28
IF SERVICE IS REQUIRED.....	31

SAFETY PRECAUTIONS

Do not attempt to install or operate your unit until you have read the safety precautions in this section. Safety items throughout this manual are labeled with Warning or Caution.

WARNING

Warning means that failure to follow this safety statement may result in extensive product damage, serious personal injury or death.

CAUTION

Caution means that failure to follow this safety statement may result in personal injury, property or equipment damage.

WARNING



- Never attempt to repair or perform maintenance on the unit until the electricity has been disconnected.
- Altering, cutting of power cord, removal of power cord, removal of power plug or direct wiring can cause serious injury, fire, flood and/or loss of property and/or life and will void the warranty.

CAUTION

- Do not lift unit by door handle.
- Never use an ice pick or other sharp instrument to help remove ice from the ice mold. These instruments can puncture the inner lining or damage the cooling unit.
- Failure to clean the condenser every three months can cause the unit to malfunction. This could void the warranty.

User's Manual



CAUTION

- Never install the unit behind closed doors. Be sure front grille is free of obstruction. Obstructing free air flow can cause the unit to malfunction, and may void the warranty.
- Use only genuine U-Line replacement parts. Imitation parts can reduce ice rate, cause water to overflow from the ice maker, cause flooding, damage the unit and may void the warranty.



WARNING



DANGER: Risk of child entrapment. Before you throw away your old refrigerator or freezer: Take off the doors, leave shelves in place so that children may not easily climb inside.

INSTALLATION DIMENSIONS

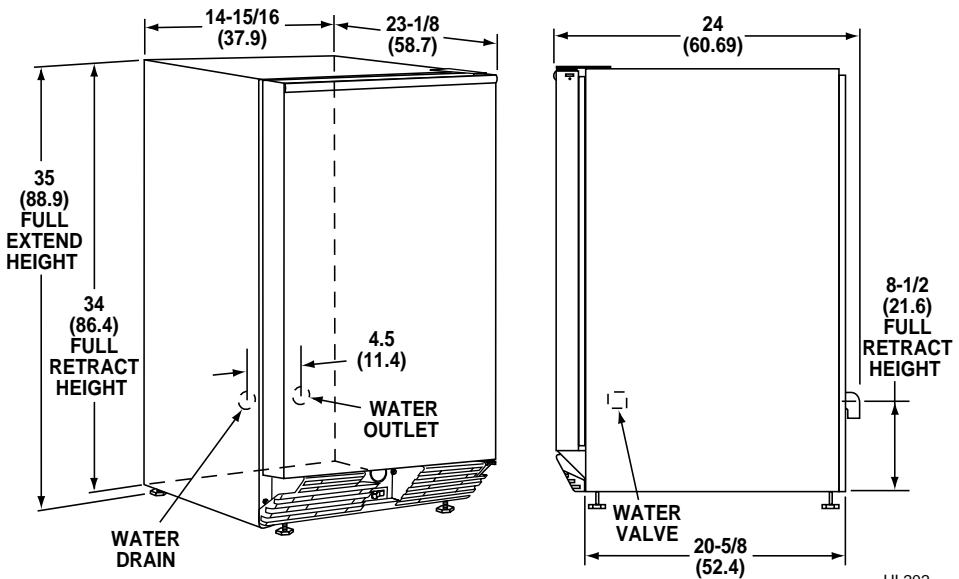


Figure 1

DRAIN INSTALLATION

IMPORTANT

PLEASE READ all instructions completely before attempting to install or operate the unit. All Ice Makers require a connection to the water supply and improper hook-up can result in substantial property damage! All water and drain connections **MUST BE** made by a licensed/qualified plumbing contractor. Failure to follow recommendations and instructions may result in damage and/or harm.



CAUTION

Plumbing installation must observe all state and local codes. All water and drain connections **MUST BE** made by a licensed/qualified plumbing contractor. Failure to follow recommendations and instructions may result in damage and/or harm.

The CLR60 can be installed using a gravity drain or can use a factory installed or equivalent drain pump.

Follow these guidelines when installing drain lines to prevent water from flowing back into the ice maker storage bin and/or potentially flowing onto the floor causing water damage:

Gravity Drain

- Drain lines must have a 5/8 inch inside diameter.
- Drain lines must have a 1 inch drop per 48 inches of run (1/4 inch per foot) and must not create traps.
- The floor drain must be large enough to accommodate drainage from all drains.
- Insulate the bin drain line to prevent condensation.

CLR60 With Factory Installed Drain Pump

NOTE

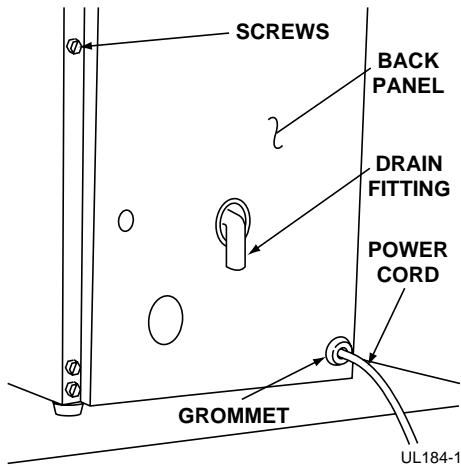
Before installing your U-Line CLR60 With Factory Installed Pump, it is extremely important to check and test all hose connections at the drain pump. There is a possibility that hose connections may have loosened during shipment.

User's Manual

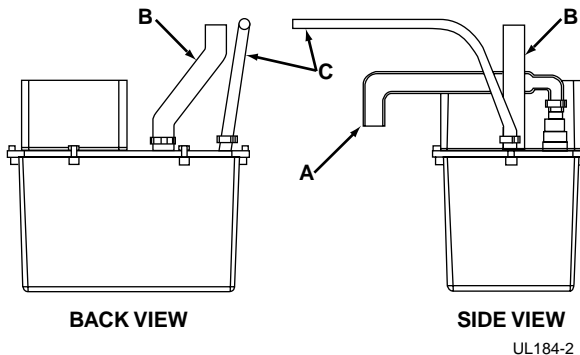
WARNING

To prevent accidental electrocution, make certain that the floor surfaces surrounding the unit are dry whenever power is removed from, or applied to the unit.

1. Make certain the unit is not plugged into an electrical outlet.
2. Using a screwdriver, carefully push the power cord grommet through the hole in the back panel.



3. Using a screwdriver or 1/4" nut driver, remove 12 screws and back panel.
4. Check that the clamps and hose connections are tight at the following areas:
 - Discharge tube (A)
 - Drain tube (B)
 - Vent tube (C)



5. Place a suitable container beneath the pump's discharge tube. (The bucket must be able to hold a minimum of one gallon.)



WARNING



Back panel serves as a guard. DO NOT put your hands inside the ice maker cabinet or attempt to touch any components except the discharge tube during testing. Failure to follow this warning could result in serious personal injury or death.

6. Plug the ice maker power cord into a properly grounded, polarized electrical outlet.
7. Verify pump operation by pouring one gallon of water into the ice storage bin of the ice maker. The pump should energize and pump the water into the container.
8. At this time, verify that all tube and clamp connections are tight and leak free.
9. Unplug unit power cord from electrical outlet.
10. Leave back panel off for water line installation.
11. Continue to the next step in the installation process, SITE PREPARATION.

CONNECTING A DRAIN PUMP

Connecting A Drain Pump

If a gravity drain connection is not available, and you have not purchased the CLR60 with factory installed pump, install the U-Line P60 drain pump in the rear compartment of the ice maker. The U-Line P60 drain pump is available through your Dealer, or direct from U-Line with complete installation instructions.

If a gravity drain connection is not available, and you have not purchased the CLR60 with factory installed pump, U-Line strongly recommends the use of the U-Line P60 drain pump. If a pump other than the U-Line P60 drain pump is to be used, it must meet the following specifications:

- It must be UL listed and have a UL listed, 120 VAC, 3-wire grounded power cord.

User's Manual

- Overall maximum outside dimensions of 8-3/4" wide x 5-3/4" deep x 7-3/4" high.
- Minimum flow rate of 15 gallons per hour at 10 feet of lift.
- It must have a sealed sump which does not allow water leakage in the case of a power outage, restricted drain or pump failure.
- It must have a check valve in the discharge line to prevent waste water return to the pump.
- It must have an overflow protection control which will shut off power to the ice maker in the event of a pump failure.
- Operating temperature range of 50°F to 110°F (10°C to 40°C).

In the event of a power outage, restricted drain or pump failure, the failure to use the U-Line P60 drain pump or a pump with the above listed specifications, could result in substantial water leakage and pooling with severe and costly water damage and related consequential damages and harm.

SITE PREPARATION

1. Position the unit on a flat, level surface, capable of supporting the entire weight of the unit. Remember that the unit will be significantly heavier once it is fully loaded.

NOTE

It is extremely important that the unit is level. If it is not level, the ice mold will not fill evenly. This can cause a reduction in ice rate, uneven sized cubes or water spilling into the storage area which will cause the ice in the bin to melt prematurely. Remember that floors near drains have a tendency to slope towards the drain.

2. The surrounding air temperature must be at least 50°F (10°C) but must not exceed 110°F (40°C).
3. The unit must not be located near heat-generating equipment or in direct sunlight.
4. The unit must be located to allow clearance for water, drain and electrical connections in the rear of the ice maker.
5. Connect the unit to a grounded and polarized 115 VAC, 60 Hz, 15A circuit (normal household current).

⚠ WARNING ⚠



NEVER use an extension cord to connect power to the unit.

Electrical Grounding Required. This appliance is equipped with a three prong (grounding) polarized plug for your protection against possible shock hazards.

⚠ WARNING ⚠



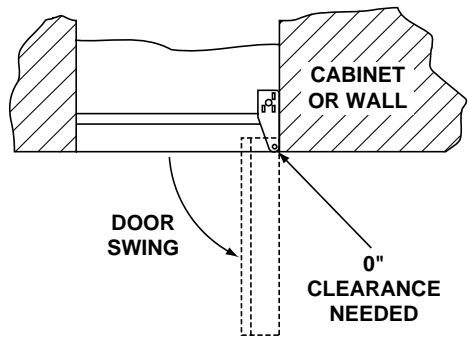
Never remove the round grounding prong from the plug.

Never use a two-prong grounding adapter.

Where a two-prong wall receptacle is encountered, contact a qualified electrician to have it replaced with a three-prong receptacle in accordance with applicable electrical codes.

NOTE

Keep in mind that the door of the unit may be mounted on either side of the cabinet (see **REVERSING THE DOOR**). All U-Line units have a zero clearance for the door to open (see Figure 2).



UL124

Figure 2

6. Install a 1/4 inch copper water line (not supplied with unit) from the nearest COLD water pipe. When connecting the water supply, follow these guidelines:
 - Review the local plumbing codes before you install the unit.
 - In most instances, the cold water supply will come from the basement through a hole in the floor.
 - The water pressure should be 20-120 psi.

User's Manual

- Install a shut-off valve in the 1/4 inch supply line.
- Connect sufficient tubing to the unit to allow the unit to be moved for cleaning and servicing. However, make certain that the tubing is not pinched or damaged during installation.
- U-Line specifies the use of copper tubing for installation. Position the unit to allow free air flow through the front grille (see Figure 3).

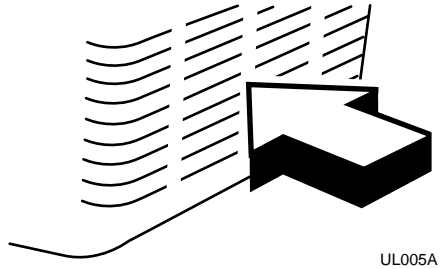
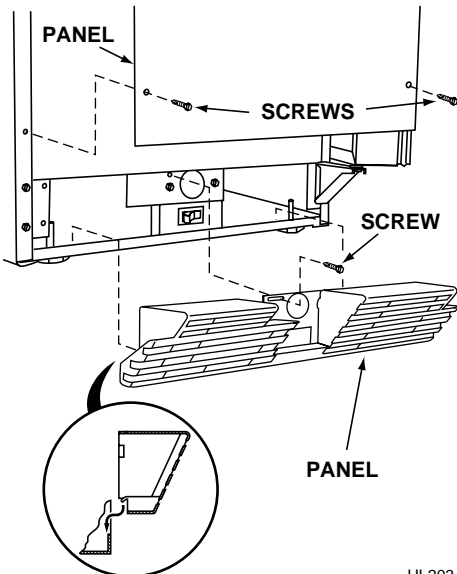


Figure 3

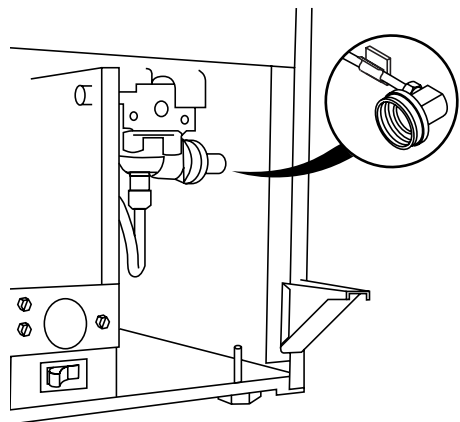
7. Wipe the inside and outside of the unit with a damp cloth.

CONNECTING THE WATER SUPPLY

1. Remove access panel from front of the unit (see Figure 4).
2. Remove the back panel to ease water line connection.
3. Install the 1/4 inch copper water line, from the main water source. The water line is inserted through the hole in the rear of the unit, through a clip on the sidewall to connect to the solenoid valve in the front (see Figure 5).

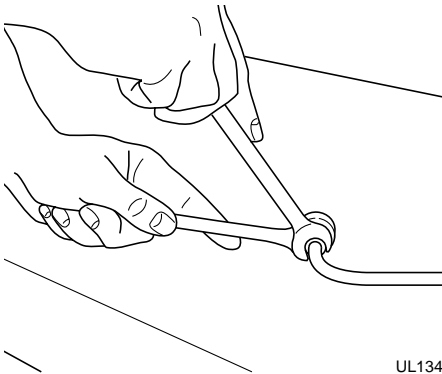


UL203



UL204B

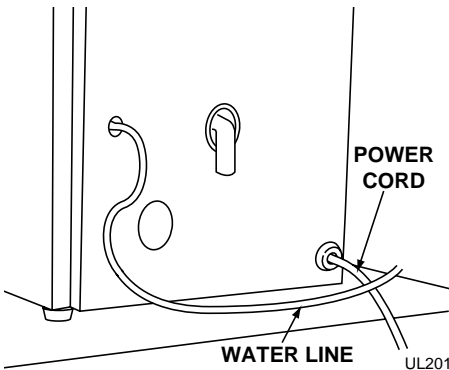
4. Locate the compression fitting and ferrule packed in the unit. Slide the compression fitting and ferrule over the 1/4 inch water supply line. Do not use thread sealing compound or tape. Using two wrenches, tighten the compression fitting on the supply line (see Figure 6).



UL134

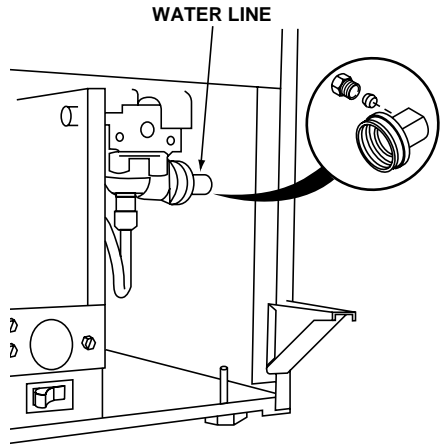
Figure 6

5. Carefully bend the water supply line into position and connect the line to the solenoid valve (see Figures 7 and 8). Avoid kinking the water supply line.



UL201

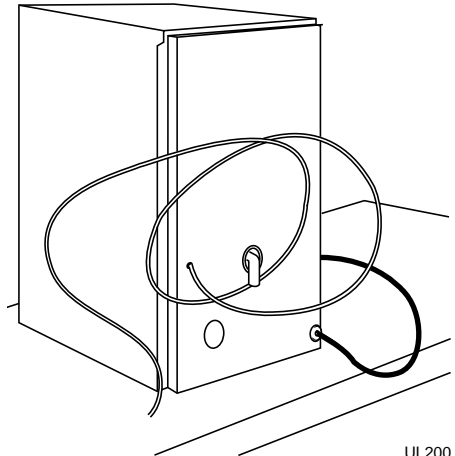
Figure 7



UL204A

Figure 8

6. For recessed installations, allow extra water supply line length to provide slack for easy removal from the recessed area (see Figure 9). This will also safeguard against kinking the line.



UL200

Figure 9

User's Manual

NOTE

After completing the installation, turn on the water and recheck water and drain connection for leaks. Apply additional tightening if needed. Do NOT use thread sealing compound or tape.

NOTE

Route the water supply line through the clip on the sidewall of the unit in such a way as to prevent the line from coming in contact with any internal components other than the solenoid valve (see Figure 5). Normal operation creates some vibration. A water supply line contacting an internal component or cabinet wall may cause excessive noise during operation or damage to the line.

7. Re-install back panel and grommet.
8. Install access panel.
9. Install the grille. See GRILLE INSTALLATION.
10. Plug in the power cord.
11. Gently push the unit into position. If desired the unit may be recessed into cabinet or wall.
12. Allow at least 1-1/2 inches clearance behind the unit for electrical, water supply and drain connections.

LEVELING THE UNIT

NOTE

It is extremely important that the unit is level. If it is not level, the ice mold will not fill evenly. This can cause a reduction in ice rate, uneven sized cubes or water spilling into the storage area which will cause the ice in the bin to melt prematurely. Remember that floors near drains have a tendency to slope towards the drain.

1. Use a level to check the levelness of the ice maker from front to back and from side to side (see Figure 10).
2. If the ice maker is not level, adjust the feet on the corners of the unit as necessary (see Figure 11).

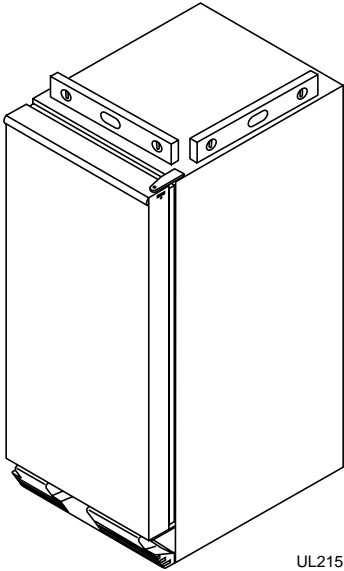


Figure 10

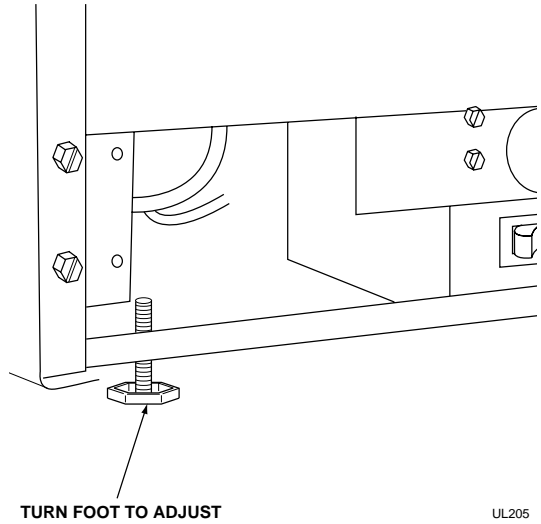


Figure 11

3. Check the levelness after each adjustment and repeat the previous steps until the unit is level.

GRILLE INSTALLATION

1. With a standard blade screwdriver (or 1/4" nutdriver), remove the screw needed to attach the grille (see Figure 12).
2. Carefully remove the grille, which is packaged inside of the unit. A small screw hole is located toward the top of the middle recessed section of the grille.

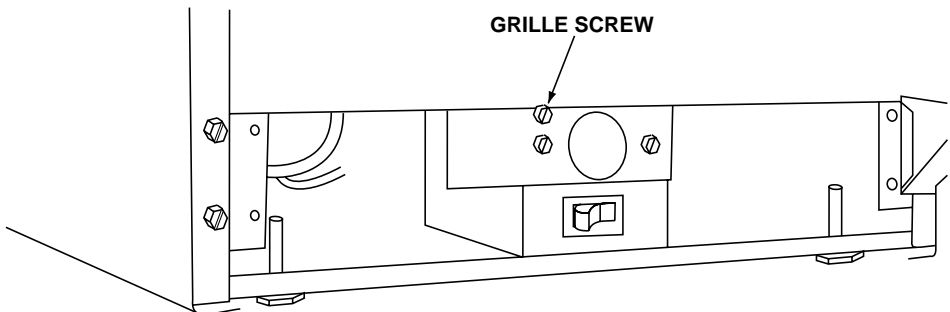
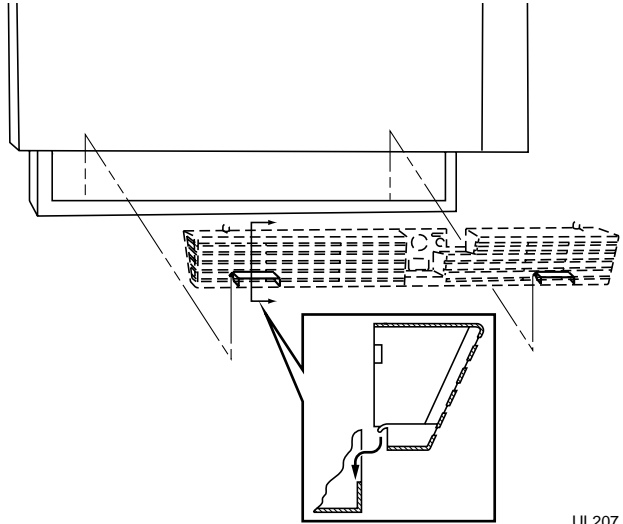


Figure 12

User's Manual

3. Place the two hook-hinges (located on the rear bottom side of the grille) on the front lip of the unit base. Swing the grille up into position, aligning the grille and cabinet screw holes (see Figure 13).
4. Insert the screw, being careful not to over tighten.



UL207

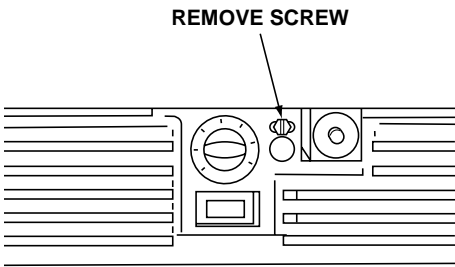
Figure 13

REVERSING THE DOOR

Depending upon the location of the unit, it may be desirable to change the side on which the door is mounted.

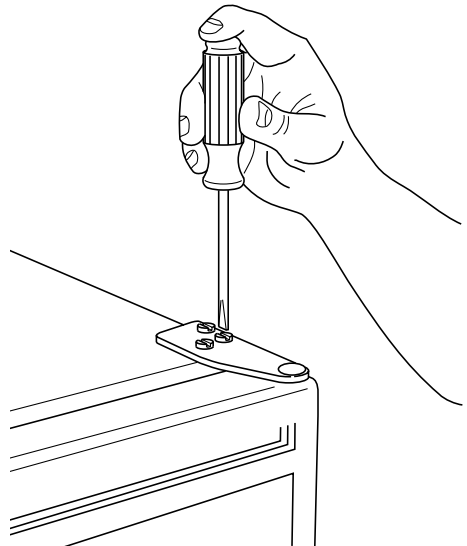
To reverse the door mounting, perform the following:

1. Remove grille (1 screw) (see Figure 14).
2. Remove top hinge from cabinet (3 screws) (see Figure 15). Hold door to keep it from falling.



UL116

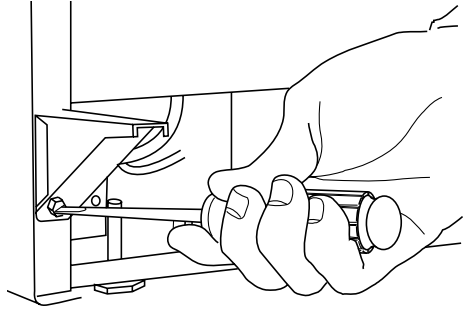
Figure 14



UL109

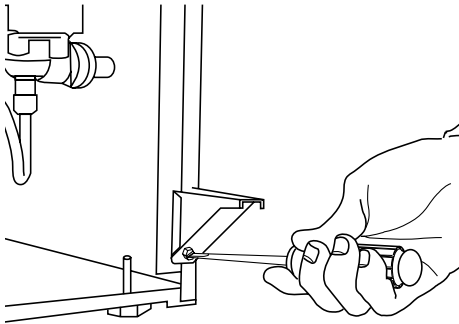
Figure 15

3. Lift the door off the bottom hinge.
4. Remove bottom hinge from cabinet (2 screws) (see Figure 16). Remove screws on opposite side of cabinet (see Figure 17). Note that there may be a nut behind one or both screws on either side.



UL212

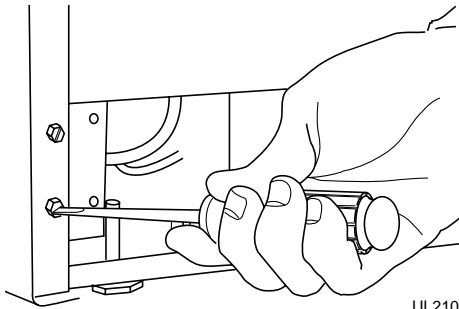
Figure 18



UL211

Figure 16

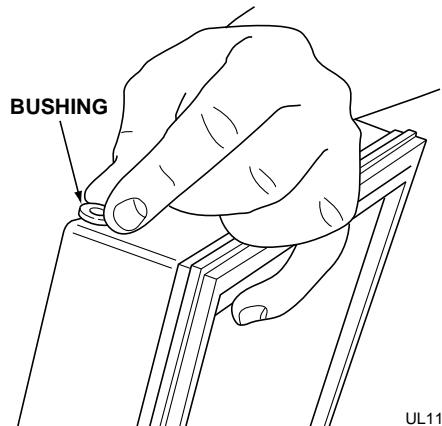
6. Relocate plastic spacer/bushing on bottom of door to opposite side, and place door on bottom hinge pin (see Figure 19). Clean out bushing hole in door bottom with a screwdriver if needed.
7. Remove plastic hole plug from door handle and relocate on opposite side.



UL210

Figure 17

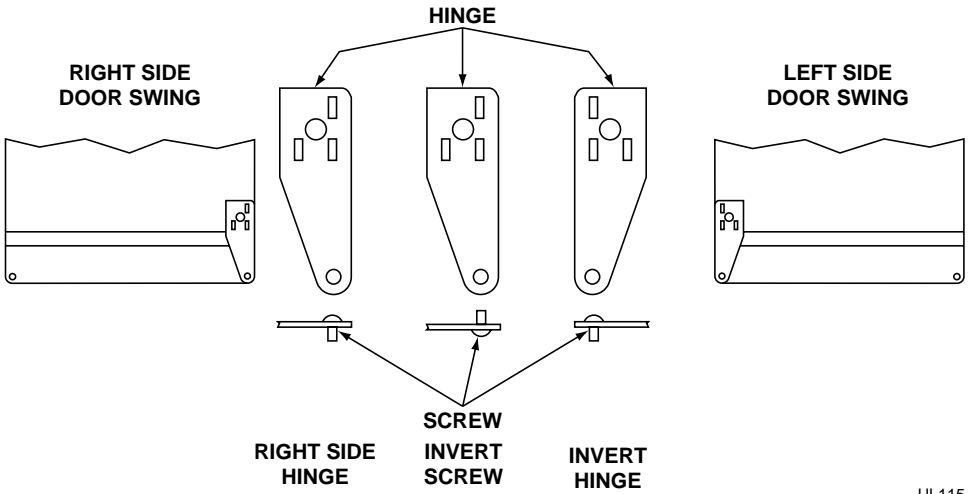
5. Install hinge on opposite side, bottom of cabinet (see Figure 18). Replace nut on back side where installed. Align hinge outer edge with cabinet before tightening screws.



UL113

Figure 19

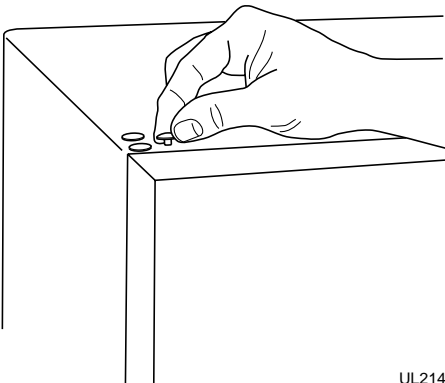
User's Manual



UL115

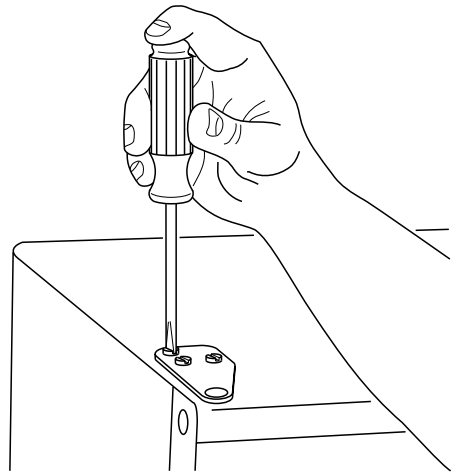
Figure 20

8. Remove pivot screw from top hinge, invert screw and reinstall pivot screw in top hinge (see Figure 20).
9. Remove three plastic plugs in hinge holes, top of cabinet, opposite side. Be careful not to scratch cabinet (see Figure 21).
10. Invert and install upper hinge on door.
11. Fasten upper hinge to unit (3 screws). Partially tighten screws until door is aligned (see Figure 22).
12. Adjust door to assure proper seal. Tighten upper hinge screws securely.



UL214

Figure 21



UL119

Figure 22

13. Replace three plastic plugs removed in step 8 into holes on top of unit. Replace screws in holes in bottom of unit, opposite side.
14. Reinspect door seal and alignment. Adjust if needed.
15. Reinstall grille (1 screw).

ALIGNING THE DOOR

For proper door alignment:

1. Loosen top and bottom hinge screws (see Figure 15).
2. Align door squarely with cabinet.
3. Assure gasket is firmly in contact with cabinet all the way around the door (no gaps).
4. Tighten bottom hinge screws.
5. Tighten top hinge screws.

NOTE

Make sure that the door gasket is not pinched too tightly on the hinge side of the door.

CUSTOM DOOR PANEL INSERT INSTALLATION

A custom door panel insert can be installed in your U-Line unit. The door will accept a flat or raised panel. The maximum panel thickness where inserted into the door reveal (channel) is 1/4" thick. For raised panels, the depth of the reveal is 1/4" on the sides and bottom, and 1/2" on the top (allow for proper clearance when installing a raised panel). The size of the door panel insert is shown below:

IMPORTANT

The door panel insert must not weigh more than 20 lb.

User's Manual

Custom Door Panel Dimensions

Model	A	B
CLR 60	28-5/32"	13-15/16"
CLR 60SS	29-13/32"	13-15/16"

SS - Stainless steel units

Install the insert as follows:

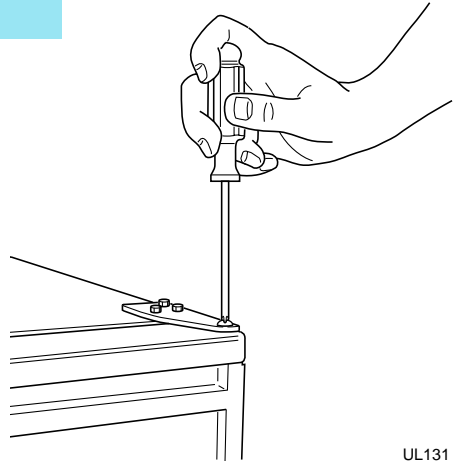
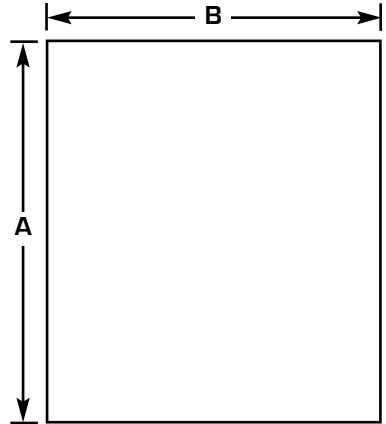


WARNING



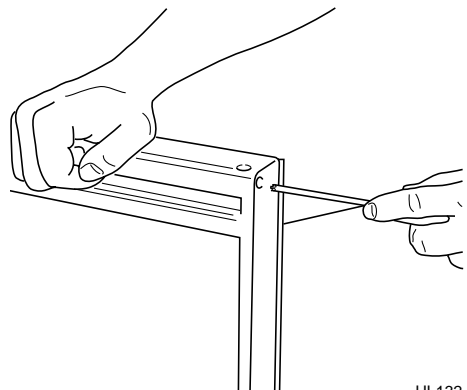
Insert edges may be **SHARP!**
Use care when installing.

1. Remove top hinge screw pin (large Phillips head, see Figure 23). Hold door to keep it from falling.
2. Remove door, being careful not to scratch top of door on hinge.
3. Remove two small screws holding door handle. Slightly separate door handle from door (see Figure 24).
4. Pull door gasket out of groove (top edge of door only). Start in the middle and pull outwards, moving towards the edge (see Figure 25). This may take some force.
5. Pull handle up and off.
6. Slide custom door panel insert into 1/4 inch channel in door front.



UL131

Figure 23



UL132

Figure 24

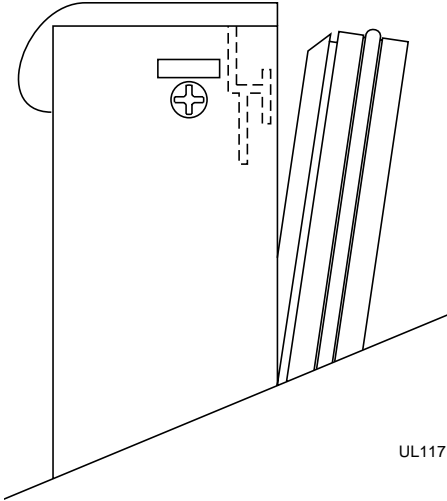


Figure 25

7. Holding door gasket out of the way, replace handle on door making sure it is seated properly on insert and that screw holes line up.
8. Install two small screws removed in step 3. Be careful no to overtighten these screws. This could strip the plastic.
9. Starting at the center and working outward, push door gasket into place on door.
10. Place door on bottom hinge pin and install upper hinge screw (see Figure 23).

BUILT-IN INSTALLATION

Your U-Line product has been designed for either free-standing or built-in installation. When built-in, your U-Line product does not require additional air space for top, sides or rear. However, the front grille must NOT be obstructed.



CAUTION

Do not install unit behind closed doors.

BUILT-IN CABINET DIMENSIONS

Model	Unit Dimensions		
	Width	Height	Depth
CLR 60	14-15/16"	34-35"	24"

NOTE

To ease unit installation and removal, increase the above measurements. It is recommended that the cabinet rough opening dimensions be increased by at least 1/4" over the dimensions given for your unit. The unit must be located to allow clearance for water, drain and electrical connections in the rear of the ice maker.

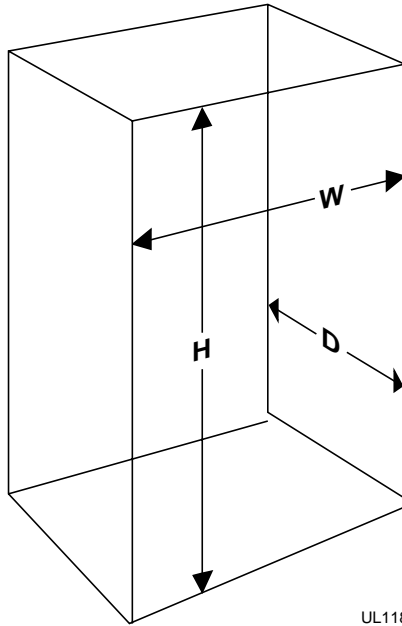


Figure 26

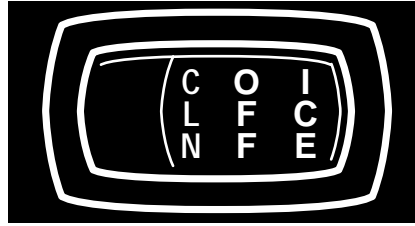
INITIAL START-UP

Once installation and leveling is complete, the unit is ready for initial start-up and operation.

1. Plug the appliance cord into a 115V polarized and grounded electrical outlet.
2. Open the water supply valve in the main water source.
3. Put the cycle selector switch in the ICE position (press the switch to the right). The water fill valve will energize and fill the water reservoir. The water fill valve shuts off after 180 seconds. The compressor begins to operate and water flows over the evaporator assembly (ice cube tray).
4. Upon initial start-up, water flow over the evaporator may be uneven. This may cause uneven sized cubes or water spilling into the ice storage bin. This is a normal situation and will correct itself within the first twenty-four hours of operation. After the initial start-up period, the water will cascade evenly over the evaporator.

NOTE

The cycle selector switch is recessed behind the front grille. An opening is provided in the grille to access the switch (see Figure 27).



UL227

Figure 27**NORMAL OPERATION**

The ice maker is designed to make clear ice from most water sources on a consistent basis. Water is constantly circulated over the evaporator assembly. As the water freezes, gravity causes any sediment to drop into the water trough and not become imbedded in the ice. This gives a clearer ice cube with a low mineral content.

When the ice reaches the desired thickness, it falls off the evaporator and into the storage bin. The cycle is then repeated. When the level of ice reaches the top of the storage bin the unit shuts off. As the ice level in the bin drops the unit will automatically restart to keep the bin full.

Your unit's ice production rate may vary depending on many considerations. Ambient air temperatures, water temperatures, condenser cleanliness and ice-maker cleanliness are all contributing factors to how quickly the unit produces ice.

Certain sounds are normal during the unit's operation. You may hear the compressor or fan motor, the water valve, the water circulation pump or ice dropping into the ice storage bin.

ADJUSTING ICE THICKNESS

The ice thickness control is set to automatically maintain an ice bridge of 0.16-0.32 cm (1/16-1/8 inch) thick. A dimple in each cube is normal (see Figure 28). If an adjustment is needed, perform the following steps:

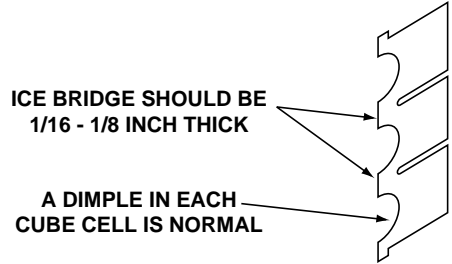


Figure 28

WARNING



Do not touch electrical wires. Disconnect power to the ice maker before making any ice thickness adjustments.

1. Disconnect power from the unit.
2. Remove front access panel (2 screws).
3. Locate the ice thickness adjustment dial on the control board (see Figure 29).

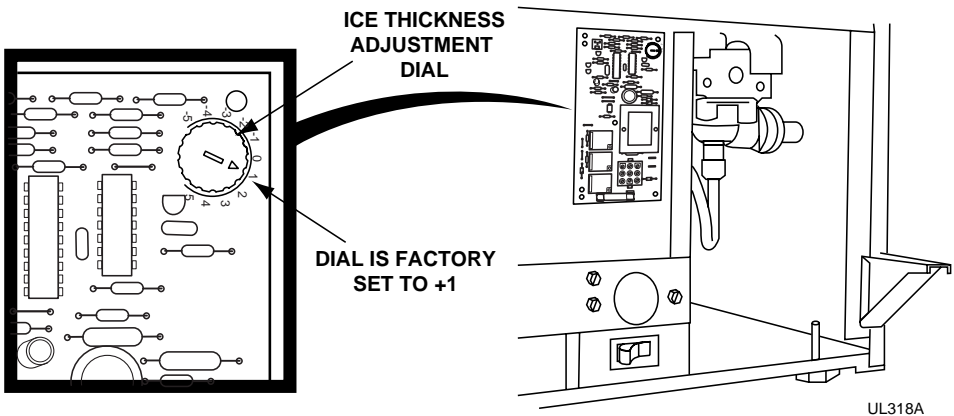


Figure 29

NOTE

Ice thickness adjustment dial should be turned only one increment at a time. Allow unit to stabilize for 24 hours before making further adjustments.

4. Turn ice thickness adjustment dial clockwise for a thicker ice bridge or counterclockwise for a thinner ice bridge.
5. Reinstall front access panel.
6. Reconnect power.

CARE AND CLEANING

EXTERIOR CLEANING

Periodic cleaning and proper maintenance will ensure efficiency, top performance, and long life. We suggest the following:

Avoid the use of solvent cleaning agents, abrasives and all cleansers that may impart taste to the ice cubes. The exterior may be cleaned with non-abrasive cleansers as used on fine furniture.

CONDENSER CLEANING



WARNING



Disconnect electric power to the ice maker before cleaning the condenser.



CAUTION

The condenser fins are **SHARP**. **DO NOT** run hands over condenser fins.

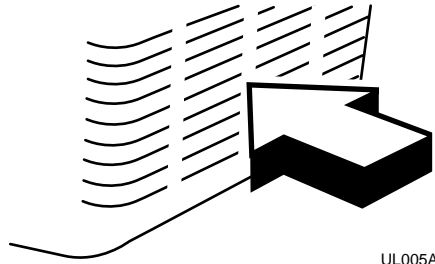
The front grille should be kept free of dust and lint to permit free air flow to the condenser (see Figure 30). The condenser coil, located behind the front grille and access panel, should be cleaned three to four times each year. Use a soft brush or vacuum cleaner to remove dirt, lint and other accumulations from the condenser coil. Clean from top to bottom, not side to side. Be careful not to bend the condenser fins.

User's Manual

INLET SCREEN CLEANING

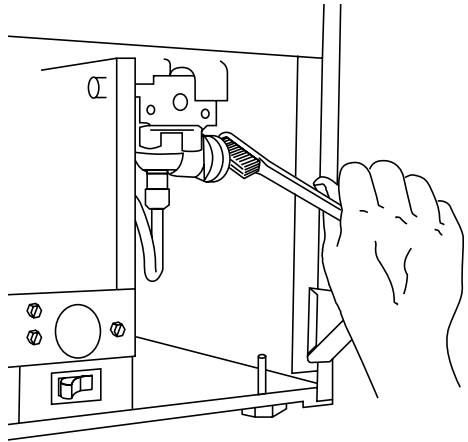
The solenoid valve inlet screen must be cleaned at least once each year as follows:

1. Shut off the water at the water supply valve.
2. Remove front access panel to expose water solenoid valve.
3. Remove the entire hose connector from the solenoid valve.
4. Use a tooth brush to clean sediment from the inlet screen (see Figure 31). **DO NOT** remove the screen.
5. Attach the hose connector to the solenoid valve. Tighten connector securely with a pliers. Open the water supply valve and check for leakage at the hose connector.



UL005A

Figure 30



UL204C

Figure 31

AUTOMATIC CLEAN CYCLE

To maintain operational efficiency, clean the unit every six months (depending on water conditions more or less frequent cleaning may be necessary). If the ice maker requires more frequent cleaning, consult a qualified plumber to test the water quality and recommend appropriate treatment.



WARNING



Wear rubber gloves and safety goggles and/or face shield when handling Ice Machine Cleaner.

 **CAUTION**

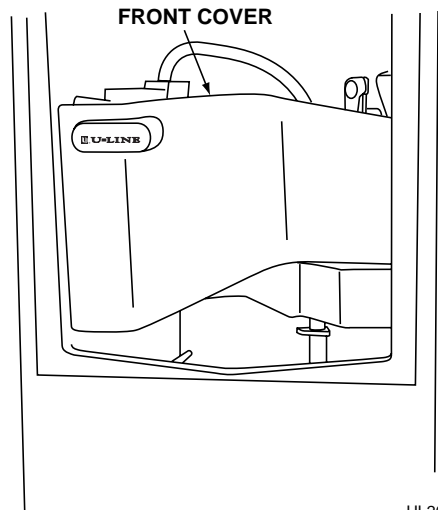
Use only U-Line Ice Machine Cleaner (part number 41978). It is a violation of Federal law to use this solution in a manner inconsistent with its labeling. Use of any other cleaner can ruin the finish of the evaporator and will void the warranty. Read and understand all labels printed on the package before use.

Ice machine cleaner is used to remove lime scale and other mineral deposits. Refer to the following steps for mineral deposit removal.

 **CAUTION**

Never use anything to force ice from the evaporator. Damage may result.

1. Set the cycle selector switch to OFF and allow the ice to melt off of the evaporator.
2. Remove all ice from the storage bin.
3. Remove inside front cover (see Figure 32).
4. Remove the overflow tube by lifting it up while using a slight back and forth motion to loosen it from the drain hole (see Figure 33). The water in the reservoir will flow down the drain.
5. Replace the overflow tube after all of the water has drained from the reservoir.
6. Move the cycle selector switch to the CLN position.

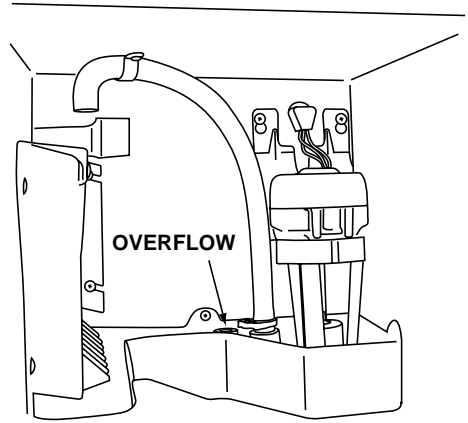


UL208

Figure 32

User's Manual

7. When water begins to flow over the evaporator (approximately 3 minutes), add one package of U-Line Ice Machine cleaner to the water reservoir.
8. Reinstall inside front cover.
9. When the self-cleaning process stops (approximately 45 minutes) it may be desirable to clean the storage bin at this time (see **INTERIOR STORAGE BIN CLEANING**).
10. Move the cycle selector switch to the ICE position to resume ice production.



UL209

Figure 33

INTERIOR STORAGE BIN CLEANING

1. Disconnect power from the ice maker.
2. Open the door and remove any ice from the storage bin.
3. Wipe down the storage bin with a solution of non-abrasive mild soap or detergent and warm water. Rinse with clean water. Sanitize the bin with a solution of 1 tablespoon of bleach in 1 gallon of warm water. Rinse thoroughly with clean water.
4. Check that all drain connections are in place.
5. Reconnect power to the unit.

STORAGE, VACATION AND MOVING

If the unit is to be stored, moved or not used for extended periods, it will be necessary to drain the system of water.

WARNING



Electrical Shock Hazard. Disconnect power before servicing. Before operating replace all panels. Failure to do so can result in death or electrical shock.

1. Disconnect power from the unit.
2. Remove ice from the storage bin.
3. Shut off water supply at the main water source.
4. Remove grille (1 screw).
5. Remove the front access panel (2 screws) (see Figure 4).
6. Disconnect the inlet and outlet lines to the water valve and allow them to drain (see Figure 34).
7. Reconnect inlet and outlet lines to the water valve.
8. Replace front access panel.
9. Replace grille.
10. Drain water from the water trough and drain line by removing the overflow tube (see Figure 33).

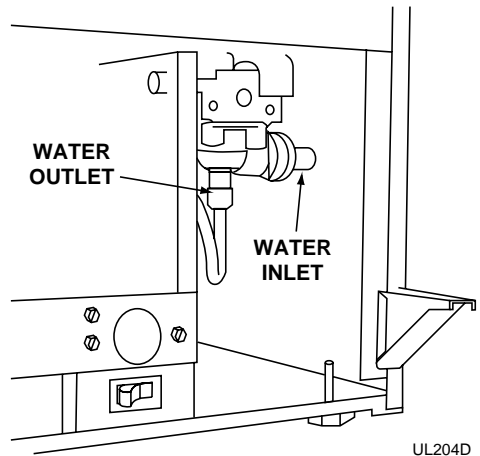


Figure 34

UL204D

11. Clean the ice maker and storage bin before next use.
12. Reconnect power.

TROUBLESHOOTING

BEFORE CALLING FOR SERVICE

If the unit appears to be malfunctioning, read through NORMAL OPERATION first. If the problem persists, check the TROUBLESHOOTING GUIDE. Locate the problem in the guide and refer to the cause and its remedy before calling for service. The problem could be something very simple which can be solved without a service call.

TROUBLESHOOTING GUIDE



WARNING



NEVER attempt to repair or perform maintenance on the unit until the main electrical power has been disconnected.

Troubleshooting — What to check when problems occur

Problem	Possible Cause	Remedy
The unit does not operate	No electrical power to the unit	Make sure power cord is plugged in. Check for blown fuse or tripped circuit breaker
	Cycle selector switch set improperly	Make sure cycle selector switch is set to ICE
	Low air temperature around unit	Surrounding air temperature must be at least 50°F (10°C)
Unit runs but no ice is produced	No water being supplied to the unit	Check to see that water is connected and turned on to the unit
Unit runs but produces very little ice	Dirty condenser coils	Clean the condenser. See CARE AND CLEANING
	High air temperature around unit	Surrounding air temperature of over 90°F (32°C). Low ice production at high temperatures is normal
	Scale and mineral buildup in unit	Clean unit. See CARE AND CLEANING

Problem	Possible Cause	Remedy
Unit runs but produces very little ice (continued)	Inadequate airflow at the front of the unit	Remove items blocking airflow
	Ice thickness adjustment dial improperly set	Adjust ice thickness. See ADJUSTING ICE THICKNESS
Ice is slow to release or does not release from the evaporator	Ice-making system is dirty	Run unit through automatic clean cycle. See CARE AND CLEANING
	Unit is not level	See LEVELING THE UNIT
	Low air temperature around unit	Surrounding air temperature must be at least 50°F (10°C)
Poor ice quality (soft or unclear)	Poor incoming water quality	Consult a qualified plumber to test the water quality and recommend appropriate treatment
	Ice-making system is dirty	Run unit through automatic clean cycle. See CARE AND CLEANING
Unit produces shallow or incomplete cubes, or the ice fill pattern on the evaporator is incomplete	Low water level	Check to see that overflow tube is fully seated
	Hot incoming water	Connect the unit to a cold water supply. See INSTALLATION
	Ice thickness adjustment dial improperly set	Adjust ice thickness. See ADJUSTING ICE THICKNESS
	Incorrect incoming water pressure	Water pressure must be 20-120 psi
	Unit is not level	See LEVELING THE UNIT

User's Manual

Problem	Possible Cause	Remedy
Water leaking from under the unit	Supply line leaking	Check to see that water inlet line is attached to inlet valve properly. See CONNECTING THE WATER SUPPLY
	Fill tube leaking	Check connection at water valve outlet
	Bin drain leaking	Check integrity of bin drain hose and clamp
Ice storage bin full of water	Obstructed drain	Check to see that storage bin drain opening is free from obstruction and debris

REPLACEMENT PARTS: Use only genuine U-Line replacement parts. The use of non U-Line parts can reduce ice rate, cause water to overflow from ice maker mold, damage the unit, and may void the warranty.

IF SERVICE IS REQUIRED

If the need for service arises, contact the dealer from whom the unit was purchased. State the Model Number and Serial Number and explain the problem. The Model and Serial Number plate is located inside unit at upper right hand corner.



P.O. Box 245040
Milwaukee, WI 53224-9540
Phone 414.354.0300
FAX 414.354.7905

Printed in U.S.A.
P/N 41952

