

All Échelon™ model doors are aligned at the factory before shipment. Occasional re-adjustment may be necessary, especially if an Overlay Panel is installed. The following procedure will correct for up to 1/4" alignment.

IMPORTANT

The door should never be flush with the top of the cabinet. Even when level, the top edge of the door will be 1/8" below the top of the cabinet (see Figure 1).

To adjust door:

1. Compare the top edge of the door (opposite the hinges) to the top edge of the cabinet and note the type (up or down) of adjustment needed.
2. Remove the top hinge pivot pin with a 7/64" hex wrench (see Figure 2) and lift door off bottom hinge pin. Be careful not to lose door closer inserts (see Figure 5).

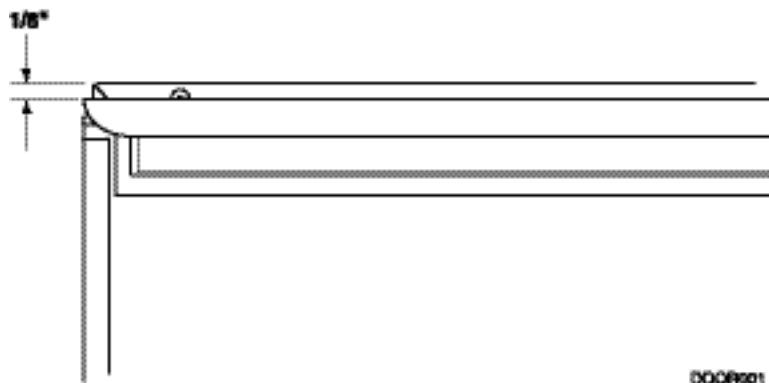


Figure 1 – Proper Door Adjustment

NOTE

The hinge plate on some Échelon™ models do not have the holes slotted for adjustment. New hinge plates are available from U-Line Customer Service.

3. With door upside-down, inspect the bottom hinge plate mounting holes.
 - a. If your plate has slotted mounting holes, loosen but do not remove the two hinge plate screws.
 - b. If your plate does not have slotted mounting holes, remove the old plate and install the new plate with the notch to the inside of the door (see Figure 3).

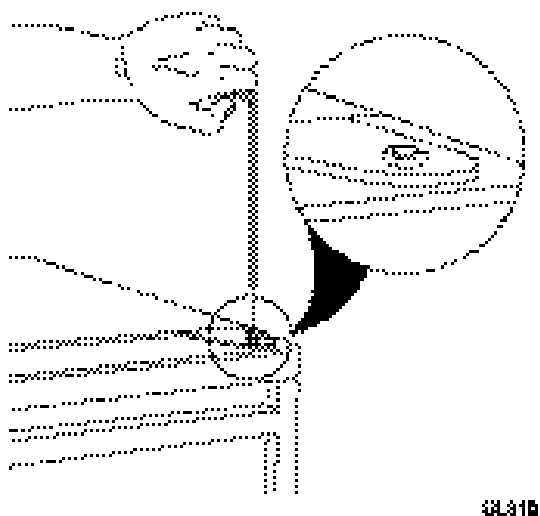


Figure 2 – Top Hinge Pin

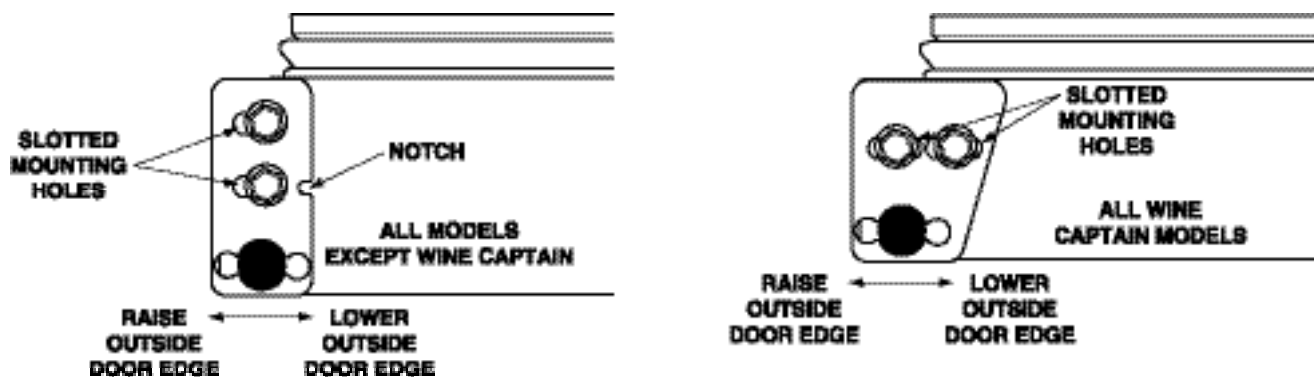
U-Line Corporation

P.O. Box 245040 • Milwaukee, WI 53224-9540

Phone 414.354.0300 • FAX 414.354.7905

www.U-LineService.com

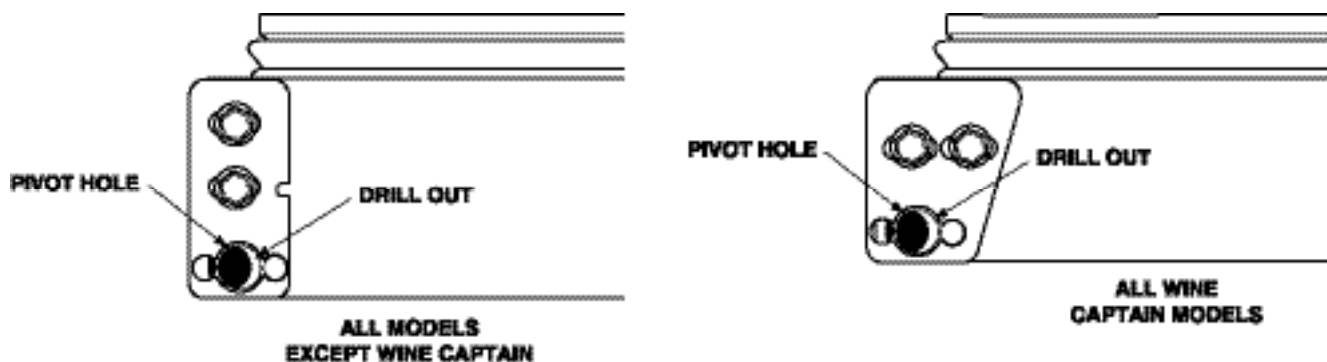
- If door edge opposite the hinges needs to move up, move plate toward outside of door. If door edge needs to move down, move plate toward inside of door (see Figure 3). Repeat until top edge of door is parallel with top of cabinet and tighten screws securely.



DOOR003

Figure 3 – Bottom Hinge Plate

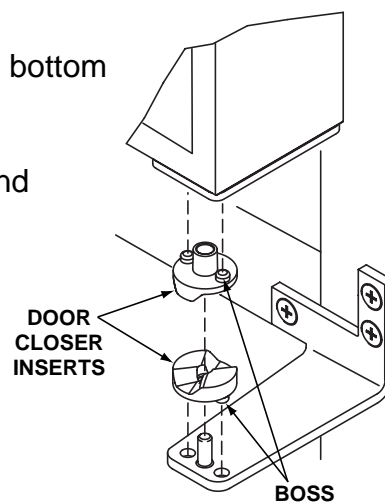
- If you have an older model, you must slot the door frame to accommodate the door closer boss. Using the bottom hinge plate pivot hole as a guide, slot the frame hole by using an 11/32" drill. **USE CARE NOT TO EXCEED 3/8" IN DEPTH OR YOU MAY DAMAGE THE DOOR PANEL; SEE FIGURE 4.**



DOOR004

Figure 4 – Slotting Door Frame Hole

- After adjustment is complete, remove the door closers from the bottom hinge, clean thoroughly and apply petroleum jelly to the mating surfaces of the closers (see Figure 5). Be sure that bosses on closers align with holes in hinge and hinge plate. Mount door and install top hinge pivot pin.



UL312

Figure 5 – Door Closer Inserts