



U-LINE
CORPORATION

**Overlay Door Panel
Installation Instructions
for Wine Captain
Models 2075WCOL and
2015WCOL**

U-Line Corporation
P.O. Box 245040 • Milwaukee, WI 53224-9540
Phone 414.354.0300 • FAX 414.354.7905
www.U-LineService.com

OVERLAY PANEL KIT PARTS SUPPLIED

Part Number	Description	Quantity
12041	Insert 8 mm Plug	2
20002	Screw #6 x 1 Pan Head	10
42122	Screw #6 x 1/2 Large Flat Head	2
35003	Foam Tape - .093 x .375 x 8'	1

PREPARE THE NEW OVERLAY PANEL

Refer to the Overlay Panel Preparation instruction sheet, part number 30010.

IMPORTANT

The overlay door panel must not weigh more than 20 lbs. The thickness of the door panel must be 3/4".

FIGURE 1 – REMOVE EXISTING DOOR FROM THE CABINET

- Remove top hinge screw pin (7/64" hex key). Remove the door by tilting forward and lifting off the bottom hinge pin.
- Lay door on a clean flat surface with the door gasket facing down. Remove two screws (1, Figure 1) securing top pivot plate (2); discard screws. Keep pivot plate for later use when installing the door.
- Turn door over so gasket is facing up. Pull door gasket out of the groove completely. Start in the middle and pull outward, moving toward the edge (Figure 1). This may take some force, but be careful.

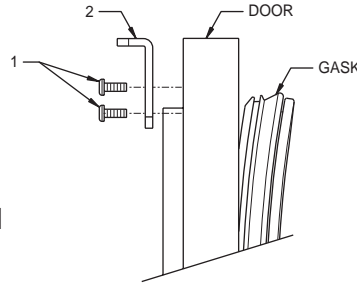


Figure 1

FIGURE 2 – CHECKING OVERLAY FIT



CAUTION

If panel does not seat properly, determine the cause of the problem by reviewing the Preparation Instructions P/N 30010.

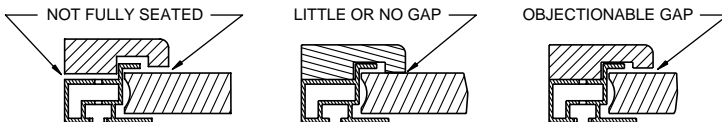


Figure 2

- Turn door over. Make sure panel is fully seated on all four sides.

- b. Visually check for gap between panel and glass. If there is an objectionable gap, continue to FIGURE 3 – APPLYING FOAM TAPE TO OVERLAY.
- c. If there is little or no gap between panel and glass, continue to FIGURE 4 – ATTACHING THE OVERLAY PANEL.

FIGURE 3 – APPLYING FOAM TAPE TO OVERLAY (IF REQUIRED)

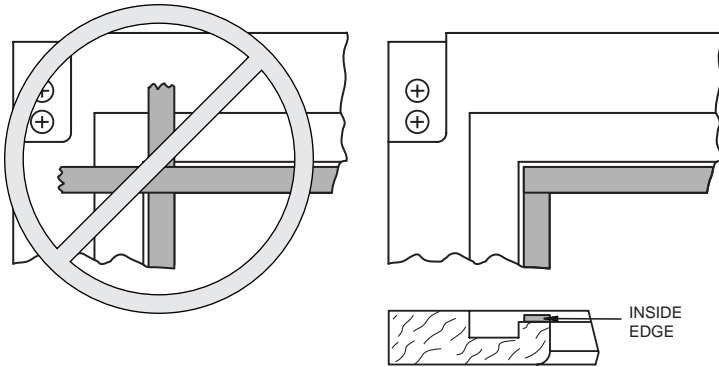


Figure 3

- a. Cut the foam tape into four pieces, two pieces the width of the overlay and two pieces the height of the overlay.
- b. Remove the adhesive protection strip from one piece of the cut foam tape and align the edge of the foam tape to the inside edge of the overlay as shown, adhering the foam tape to the overlay.
- c. Trim each piece of tape immediately after applying it to the overlay. Do not allow any overlapping of the foam tape. Damage to the overlay can occur if the foam tape is not trimmed correctly.

FIGURE 4 – ATTACHING THE OVERLAY PANEL

- a. Tap nylon inserts into the two holes drilled in the wood panel. Use two #6 screws (P/N 42122) to attach top pivot bracket (P/N 12029) to the wood door panel (Figure 4).

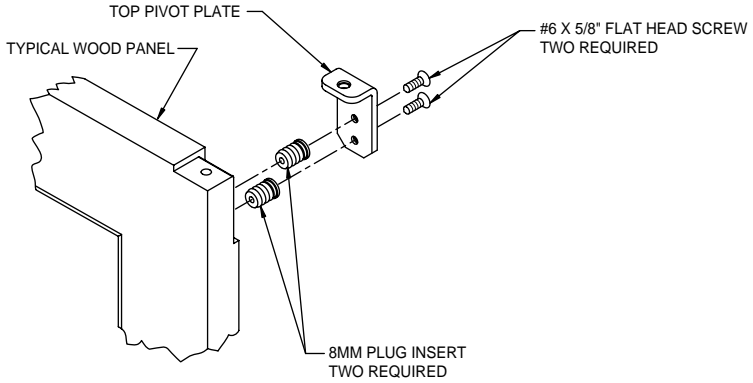


Figure 4

- b. If required, attach optional cabinet handle hardware to the wood door panel at this time. If an optional cabinet handle is installed, make sure the mounting screw heads are below the back surface of the overlay.

FIGURES 5-6 – ATTACHING THE OVERLAY TO THE DOOR

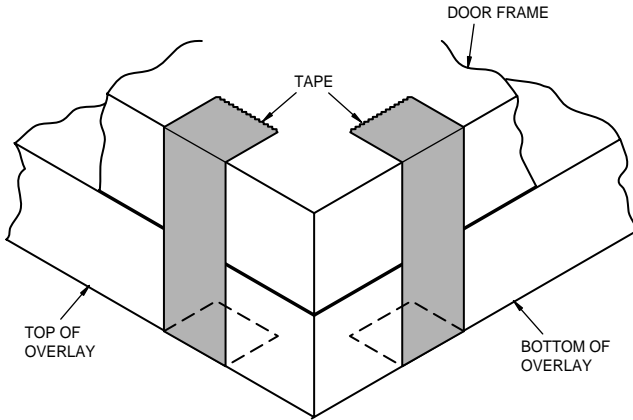


Figure 5

- a. Secure existing door with the front of the door to the back of the overlay using tape, on all four corners as shown (Figure 5). Make sure all four edges are aligned.

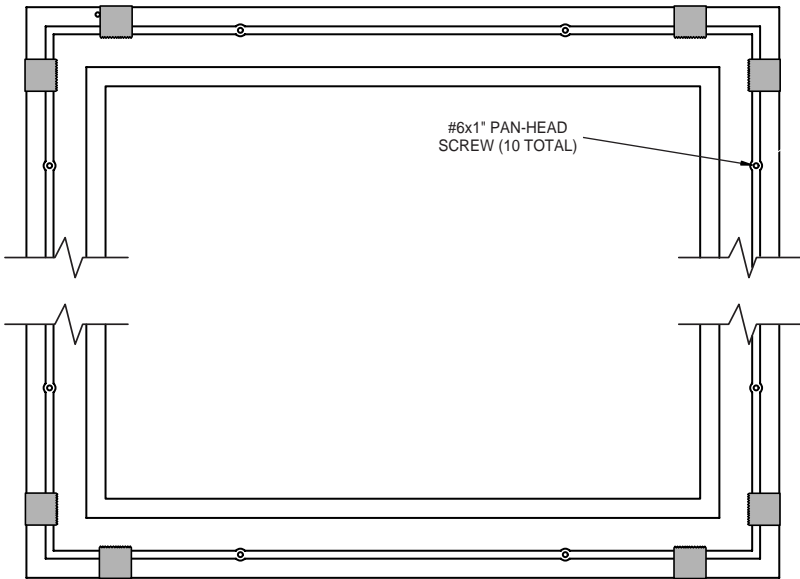


Figure 6
(Model 2075 shown)

- b. Place door and overlay on a clean flat protective surface. Use the door frame holes as a guide to lightly punch pilot holes for the #6 x 1" pan-head screws (see Figure 6).
- c. Attach the door to the overlay using the #6 x 1" wood screws. (Model 2075 shown.)

IMPORTANT

If you decide to drill the pilot holes, remove the door and do not use a drill bit larger than 7/64", and do not drill deeper than 3/8". Frame and door overlay must be aligned properly or the door will not operate correctly.

NOTE: The door frame is designed with a slight amount of "play" to square the frame to the overlay panel.

- d. Remove all traces of tape securing panel to frame.

ASSEMBLING THE DOOR

Starting at the corners and working toward the center, push the door gasket back into place. Make sure gasket is fully seated on all four sides.

FIGURES 7-8 – INSTALLING THE DOOR

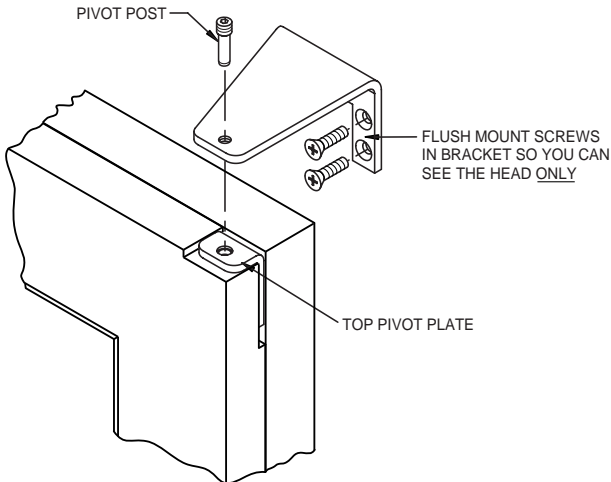


Figure 7

IMPORTANT

Pivot posts must be clean. Closers must also be clean and greased with petroleum jelly to ensure proper operation.

- a. Remove the door closers from the bottom hinge, clean thoroughly and apply petroleum jelly to the mating surfaces of the closers (Figure 8). Be sure that bosses on closers align with holes in hinge and hinge plate.
- b. Position door and install the pivot post (P/N 42096) into the top hinge (using the 7/64" hex key).
- c. Adjust door as needed for proper closure. Refer to User Manual for door adjustment procedures.
- d. Check to make sure the light switch actuator bracket is contacting the light switch properly.

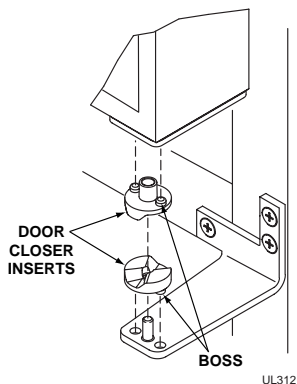


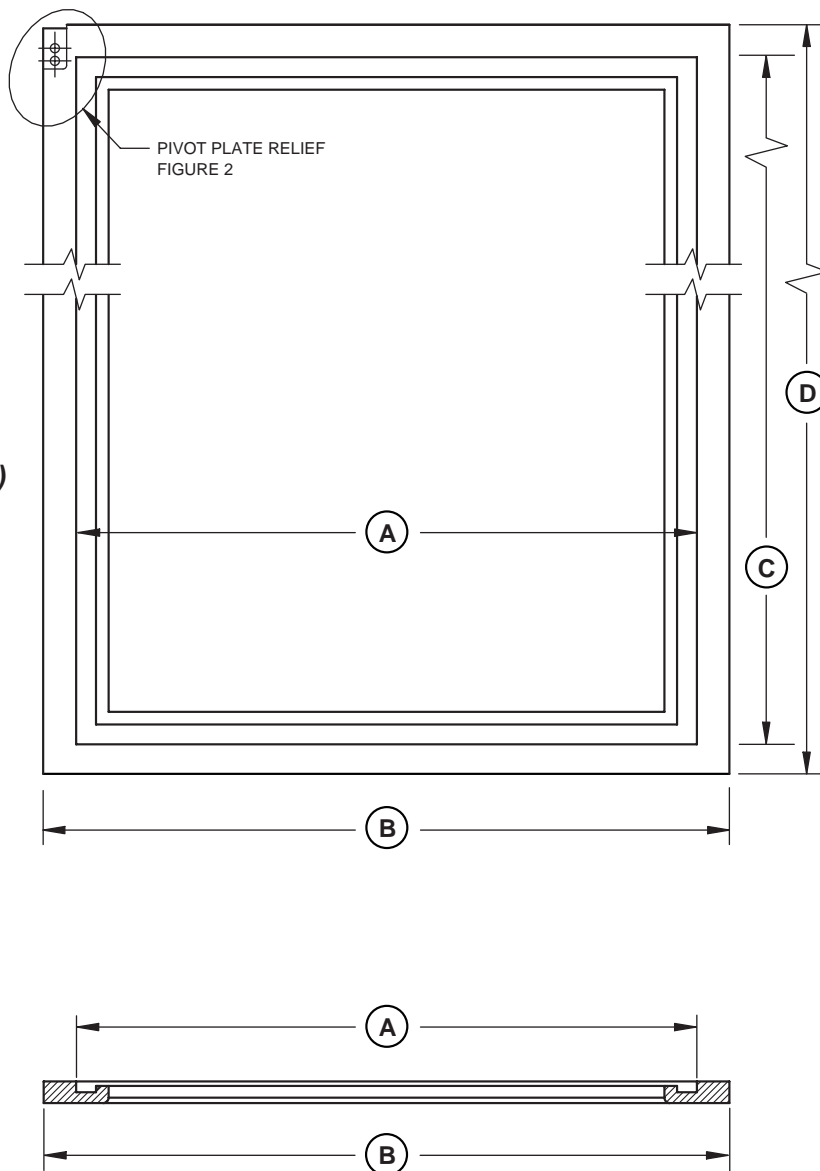
Figure 8

IMPORTANT

The thickness of the wood overlay panel must be 3/4".

- Use the following instructions to create or have a wood overlay frame created for your Échelon Wine Captain model as shown in Figure 1.

NOTE
Rear View of Wood Frame
with right hand hinge shown
(Mirror Image For Left Hand Hinges.)



Model	A	B	C	D
2075	21-1/2"	23-3/4"	27-3/4"	30"
2015	12-1/2"	14-3/4"	27-3/4"	30"

Figure 1 – Wood Panel Dimensions

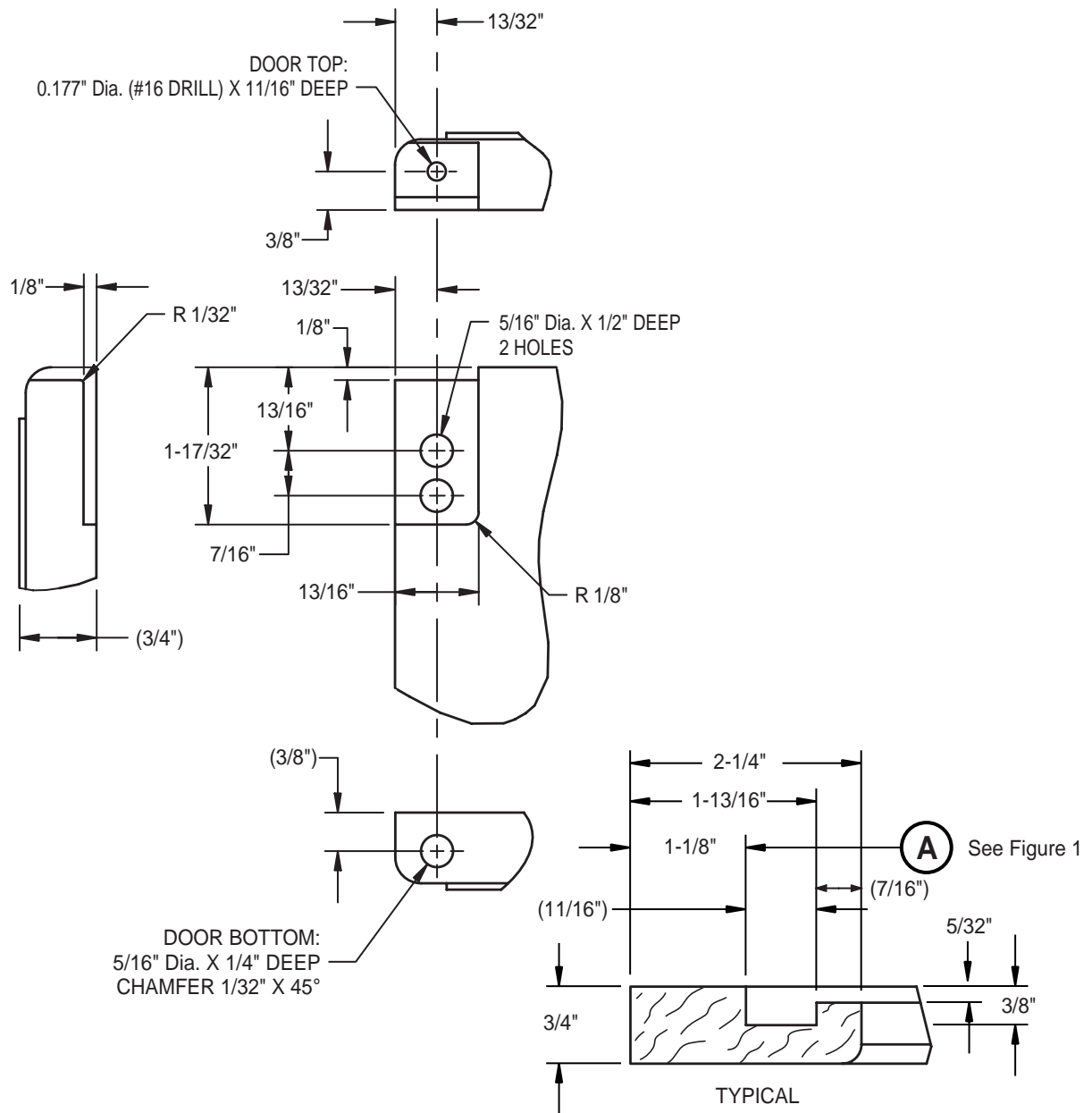


Figure 2 – Pivot Plate Relief, Hinge Holes and Routing

IMPORTANT

The wood overlay panel must not weigh more than 20 lbs.

2. Create pivot plate relief as shown in Figure 2.
3. Drill holes for pivot plate mounts, upper door hinge and lower door hinge as shown.
4. The overlay door panel must be installed in accordance with the Installation Instructions, part number 30009.

U-Line Corporation
P.O. Box 245040 • Milwaukee, WI 53224-9540
Phone 414.354.0300 • FAX 414.354.7905
www.U-LineService.com