

Anti-Tip Kit Installation for Échelon™ Model 2075DWR

IMPORTANT

Read these instructions entirely before installing the anti-tip kit.

WARNING

- The anti-tip kit must be installed on the U-Line 2075DWR before the unit is used.
- Additional blocking or special fasteners may be required for installation. Installer is responsible for secure attachment to prevent the unit from tipping.
- Make sure the mounting screws attaching the unit to the counter, cabinet or wall are into the mounting surface deep enough to support the weight of the drawers and the items inside the drawers.
- The drawers should never be used as steps or a shelf to support more than the drawers' content.

Use the following instructions to secure your U-Line 2075DWR to a counter top, cabinet, or in a wall.

After the unit has been leveled following the instructions in the User's Guide, the unit must be secured to a counter, a cabinet or a wall to prevent tipping:

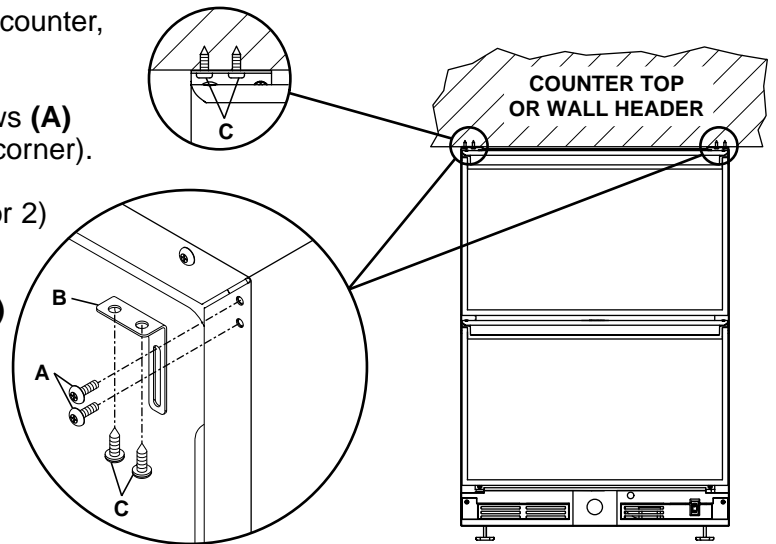
1. Open the upper drawer to expose the six screws **(A)** installed at the top two corners (three at each corner). Remove the appropriate number of screws for horizontal or vertical mounting. (See Figure 1 or 2) Do not discard.
2. Insert the screws through the anti-tip bracket **(B)** and attach the bracket to the unit. Tighten screws securely.

Repeat step for the other side.

The bracket should be flush with the surface it is being attached to. If it is not, loosen the screws and slide the bracket against the mounting surface. Tighten screws securely.

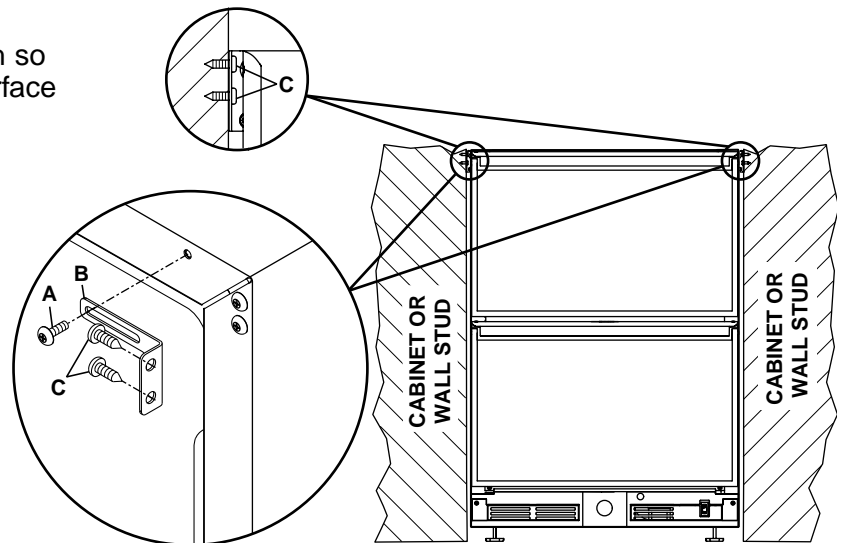
3. Using two of the screws **(C)** supplied, fasten the screws through the bracket and into the counter, cabinet, header, or wall. Certain cabinets or countertops may require special fasteners or additional wood blocking to anchor properly.

Make sure the screws are back far enough so they do not damage any exposed front surface of the cabinet.



ATK001a

**Figure 1 - Horizontal Mounting
(Right side shown)**



ATK001b

**Figure 2 - Vertical Mounting
(Right side shown)**